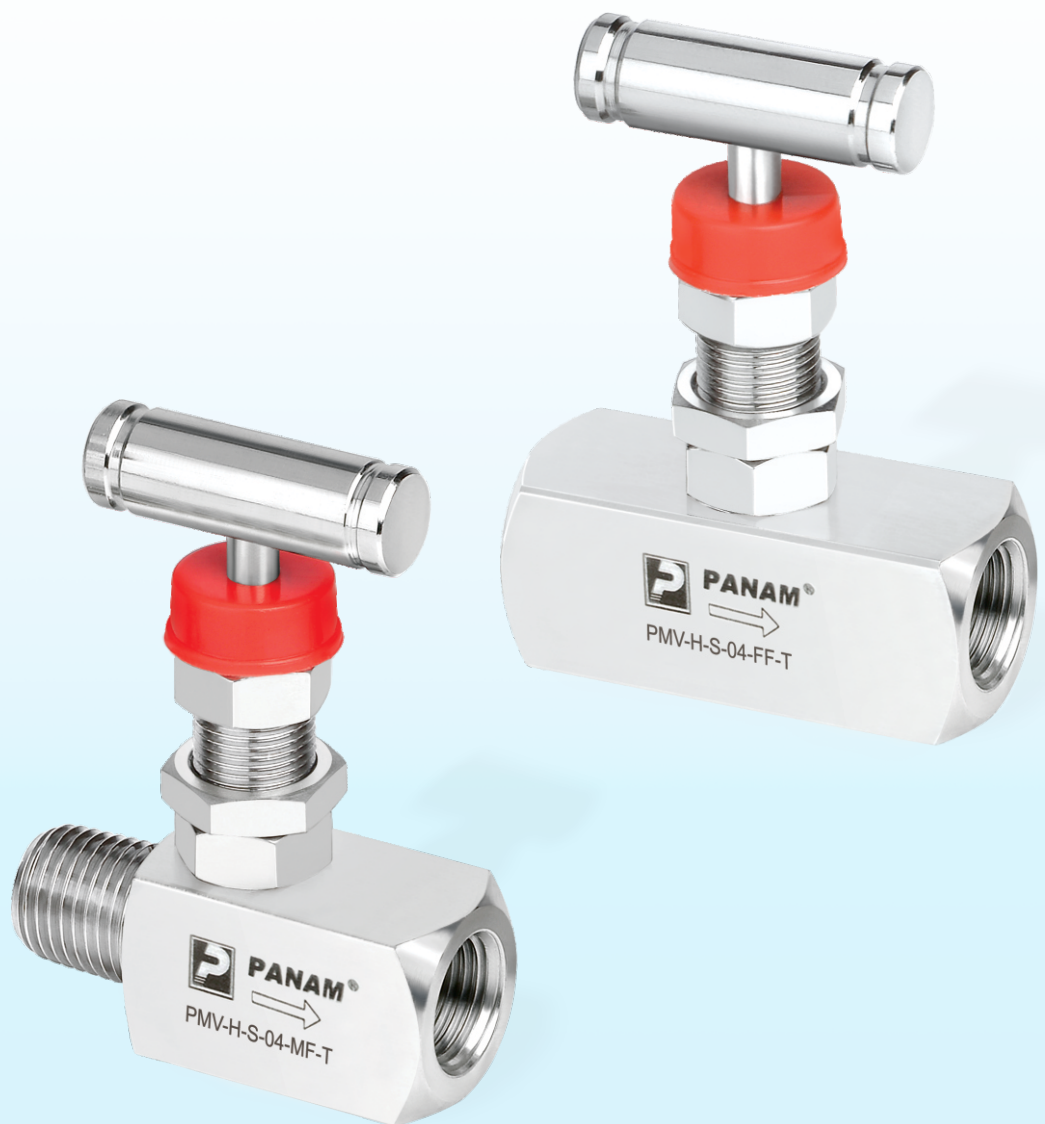


Needle Valves (Mini Series)



www.panamengineers.com

Needle Valves Mini Series

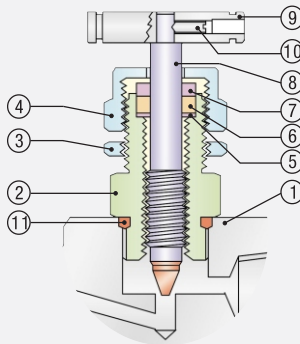
PANAM Mini Series Needle Valves are specially designed and ruggedly manufactured for use in corrosive & hazardous environment. These valves are used in process control, instrumentation and flow control application. These valves are precision machined, designer durability and maximum efficiency to provide high quality and low cost alternatives in fluid and gaseous control systems of different applications, to meet the exacting standards of our growing and demanding customers.

PANAM Mini Series Valves are available in High Grade Stainless Steel, Carbon steel, Brass and Monel materials in variety of end connections includes Male / Female threaded NPT, BSP, BSPT, ISO, DIN and JIS tapered / Straight threaded pipe ends. Valves can be supplied to meet current revision of NACE MR-01-75 (Sour Gas Service).

Features & Benefits

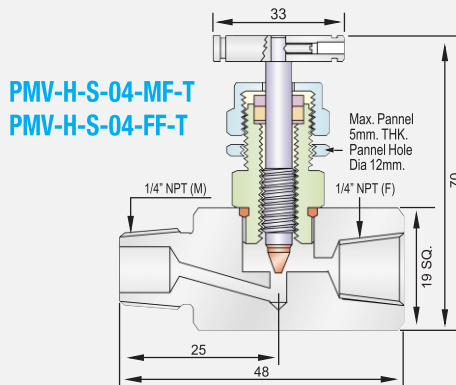
- **Vee Tip Design** - Controls accurate flow.
- **Stem Threads Rolled & Hard Plated** - Provides additional strength & maximum service life.
- **Mirror Finish Stem, Furnished to a 16 RMS** - Extends packing life and smooth stem operation
- **Fully Supported Packing** - Reduces need for adjustment.
- **Packing Nut** - Easy and fast to move external adjustment.
- **Stainless Steel Handle** - For proper actuation.
- **Dust Cap** - Prevents contaminants and lubricant washout of bonnet assembly.

Material of Construction

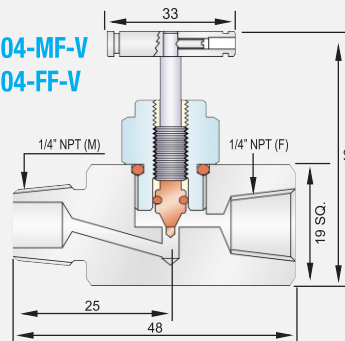


Sr. No.	Part Name	Qty.	Material
1	Body	1	A479-316 / A-105
2	Gland Body	1	A479-316 / A-105
3	Pannel Nut	1	A479-316 / A-105
4	Gland Nut	1	A479-316 / A-105
5	Washer	1	A479-316 / A-105
6	Packing	1	PTFE / Graphoil
7	Packing Washer	1	A479-316
8	Spindle	1	A564 - 630
9	Handle	1	Stainless Steel
10	Grub Screw	1	Steel Plated
11	O-Ring	1	Viton

Dimensions



PMV-H-S-04-MF-V
PMV-H-S-04-FF-V



PANAM Mini Series Needle Valves are also available in Female to Female end connections

Pressure & Temperature Ratings

Orifice	Cv	Pressure Rating	Temperature Rating
3.5mm	0.31	3000 PSI (20700kpa)	-20° to 250°F (-50° to 121°C)

Testing

Each valve is hydrostatically tested in accordance with MSS-SP-99. This procedure includes testing of the body cavity. Hydrostatic test is performed with pure water or other liquids of similar or lower viscosity at 1.5 times and seat leakage test at 1.1 times of the maximum working pressure. Each valve is also tested with Nitrogen Gas at 1000 psi for seat, seal and shell leakage. Other tests like Vibration, Temperature, Helium are available upon request.

PANAM ENGINEERS LTD.

An ISO 9001:2008 Company

203, Jaisingh Business Center, Parsiwada, Sahar Road, Andheri (East), Mumbai - 400 099. INDIA
Tel.: +91 22 2831 5555 / 57 / 58 • Fax: +91 22 2831 5574 • email: sales@panamengineers.com / sales@panam.in
website: www.panamengineers.com / www.panam.in